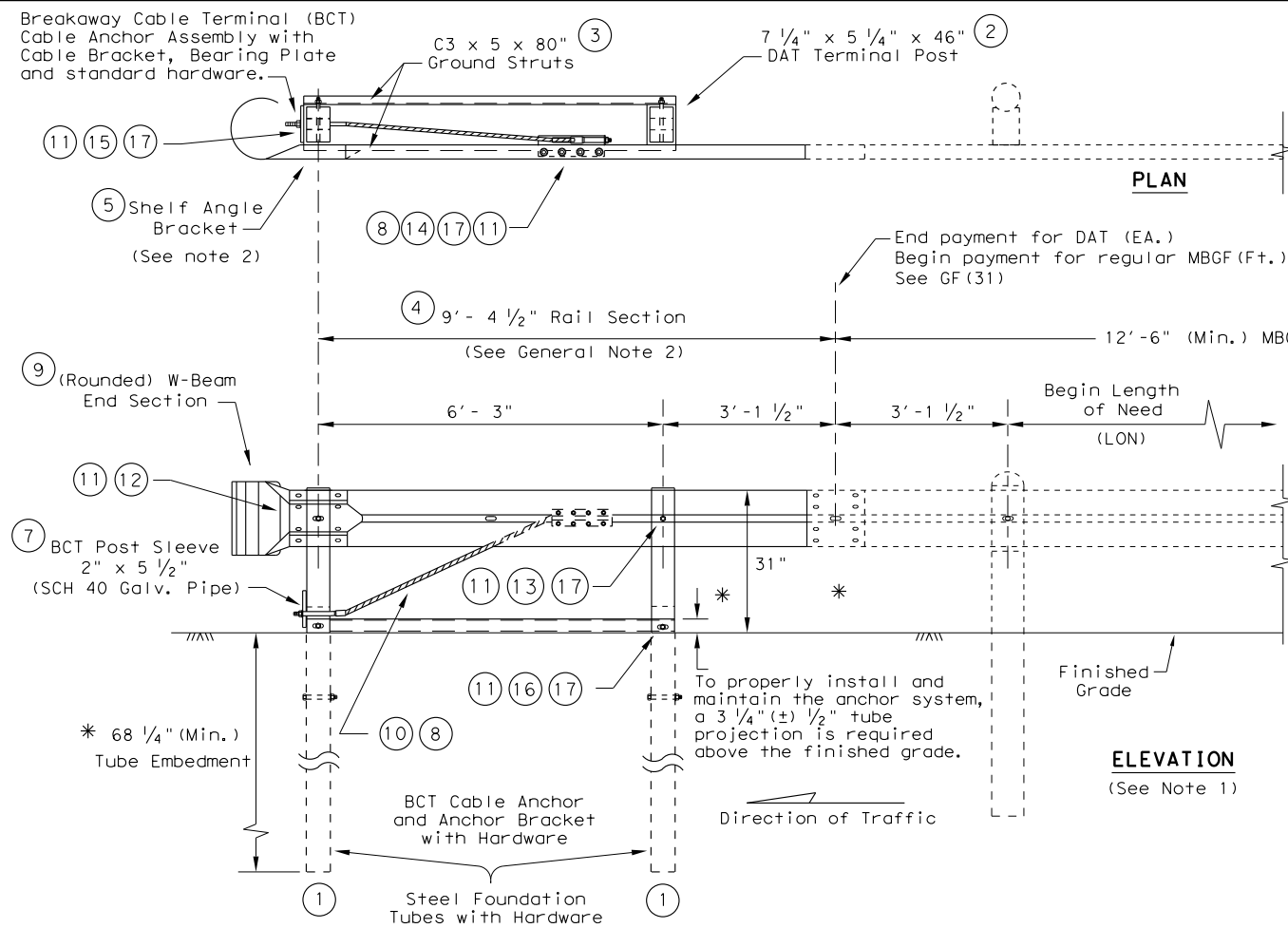
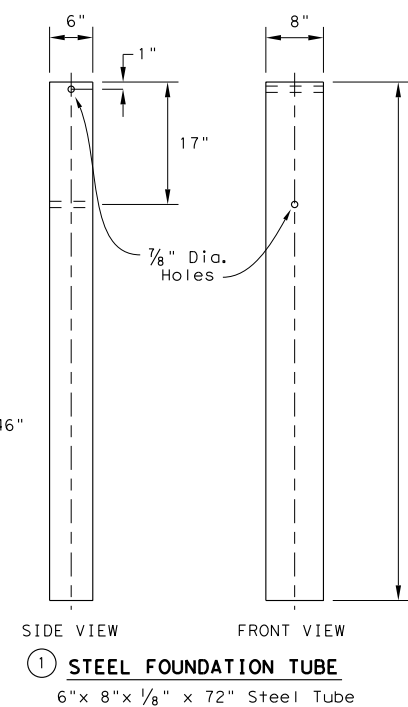
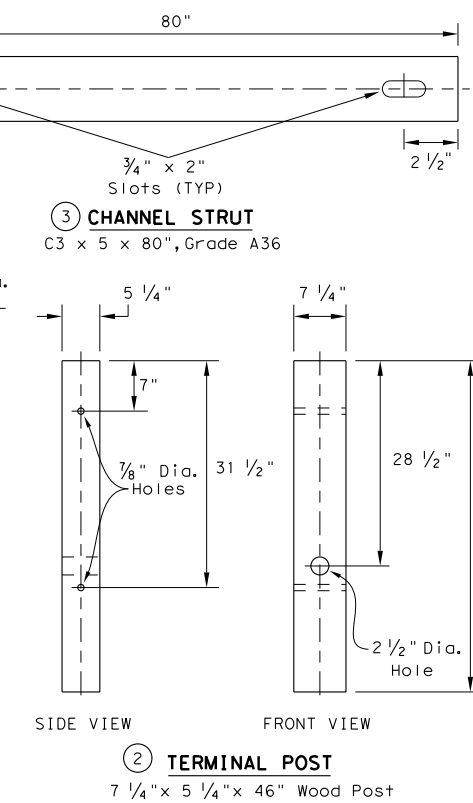
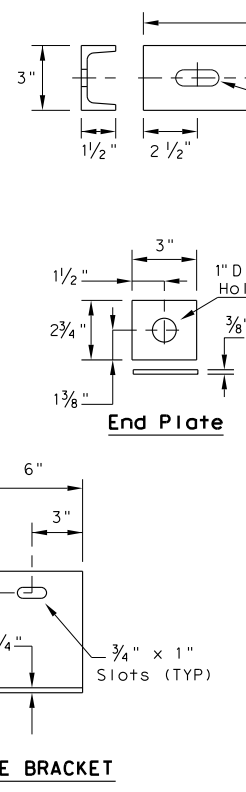
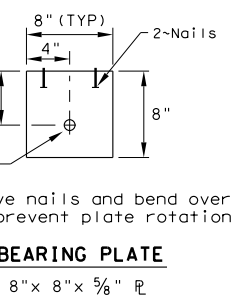
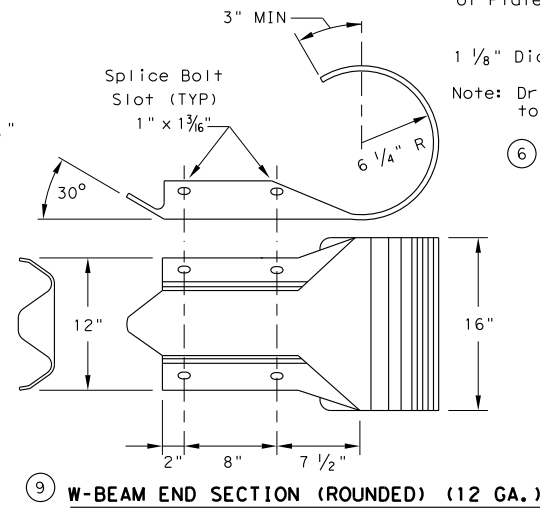
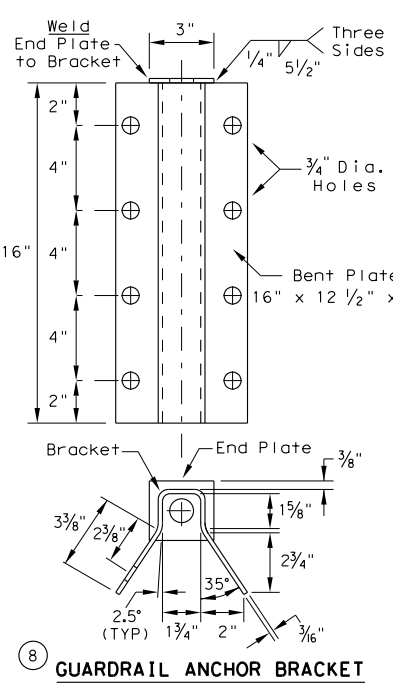
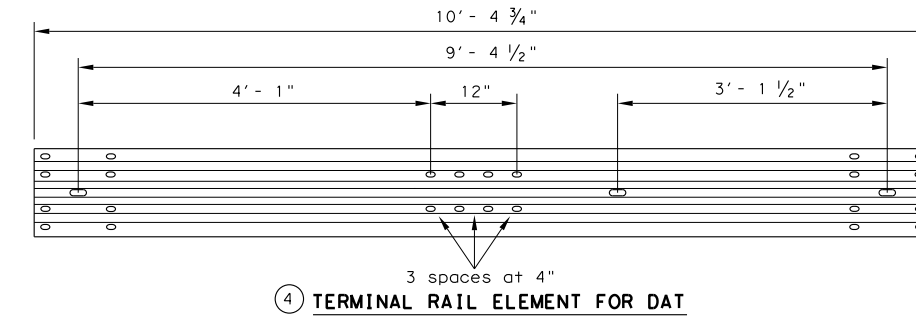
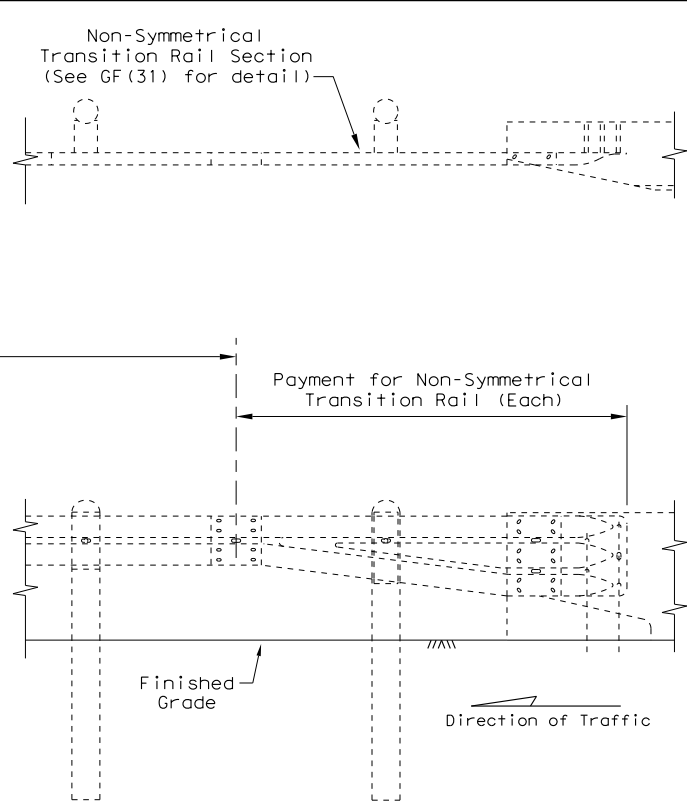


DISCLAIMER: The use of this standard is governed by the "Texas Engineering Practice Act". No warranty of any kind is made by TxDOT for any purpose whatsoever. TxDOT assumes no responsibility for the conversion of this standard to other formats or for incorrect results or damages resulting from its use.



DOWNSTREAM ANCHOR TERMINAL (DAT)

Only for downstream use, when located outside the horizontal clearance area of opposing traffic.



GENERAL NOTES

1. The detail shown is the minimum Length of Need (LON) for a DAT connected to a concrete rail.
2. The rail section at the end post is supported by the Shelf Angle Bracket. The rail element is not attached to the end post.
3. The foundation tubes shall not project more than 3 3/4" above the finished grade.
4. All hardware for DAT shall be ASTM A307 unless otherwise shown.
5. Refer to GF(31) sheet for terminal connection details.

MOW STRIP INSTALLATION

If a mow strip is required with the DAT installation the leave-out area around the steel foundation tubes and the two channel struts may be omitted. This will require a full pour at the foundation tubes.

#	(DAT) PARTS LIST	QTY
1	Steel Foundation Tube	2
2	DAT Terminal Post	2
3	Channel Strut	2
4	Terminal Rail Element	1
5	Shelf Angle Bracket	1
6	BCT Bearing Plate	1
7	BCT Post Sleeve	1
8	Guardrail Anchor Bracket	1
9	(Rounded)W-Beam End Section	1
10	BCT Cable Anchor	1
11	Recessed Nut, Guardrail	20
12	1 1/4" Button Head Bolt	4
13	10" Button Head Bolt	2
14	5/8" x 2" Hex Head Bolt	8
15	5/8" x 8" Hex Head Bolt	4
16	5/8" x 10" Hex Head Bolt	2
17	5/8" Flat Washer	18



METAL BEAM GUARD FENCE (Downstream Anchor Terminal) GF (31) DAT-14

FILE: gf31dt14.dgn	DN: TxDOT	CK: AM	DW: VP	CK: CGL
© TxDOT: December 2011	CONT	SECT	JOB	HIGHWAY
REVISIONS	DIST	COUNTY	SHEET NO.	