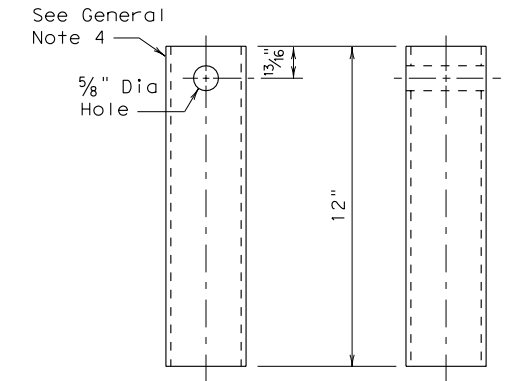
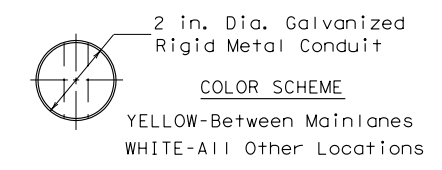
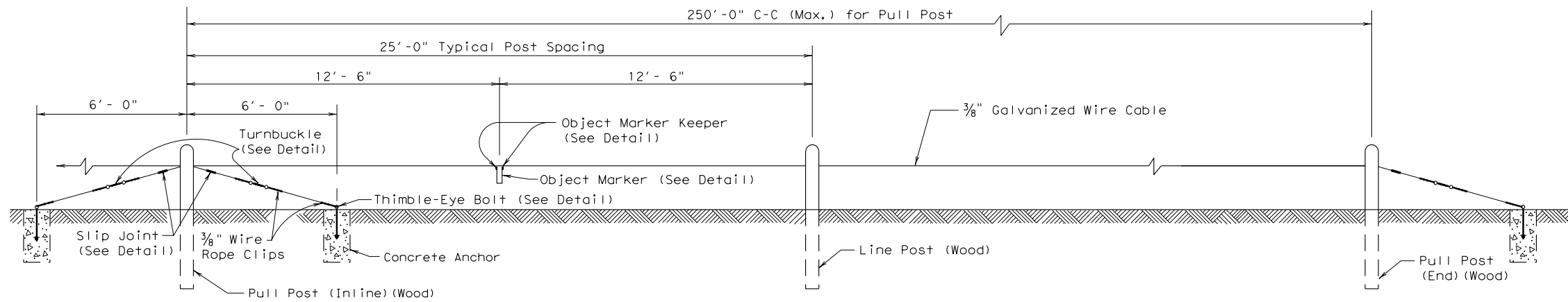
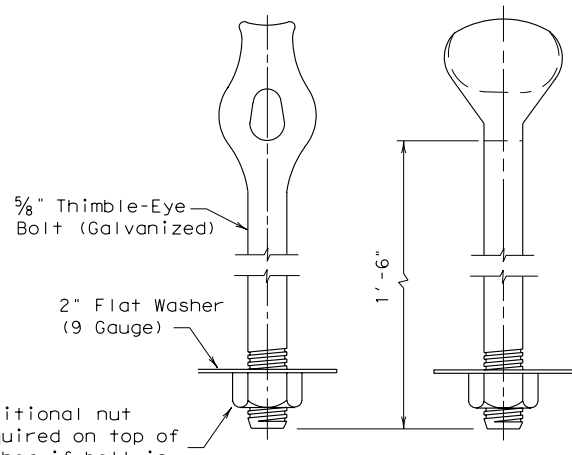
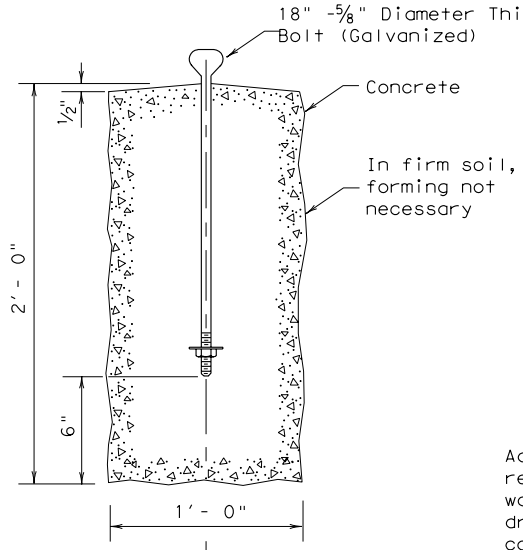
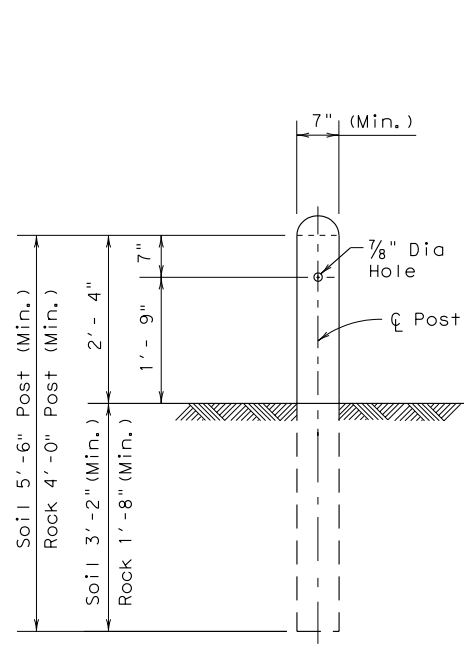


DISCLAIMER: The use of this standard is governed by the "Texas Engineering Practice Act". No warranty of any kind is made by TxDOT for any purpose whatsoever. TxDOT assumes no responsibility for the conversion of this standard to other formats or for incorrect results or damages resulting from its use.

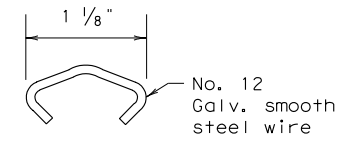
LEVELS DISPLAYED
1
2
3
4
5
6
7
8
9
10
11
12
13
14
15
16
17
18
19
20
21
22
23
24
25
26
27
28
29
30
31
32
33
34
35
36
37
38
39
40
41
42
43
44
45
46
47
48
49
50



**WOOD POST & CABLE UNIT**



Clamp keepers on both sides of Reflector as shown above.



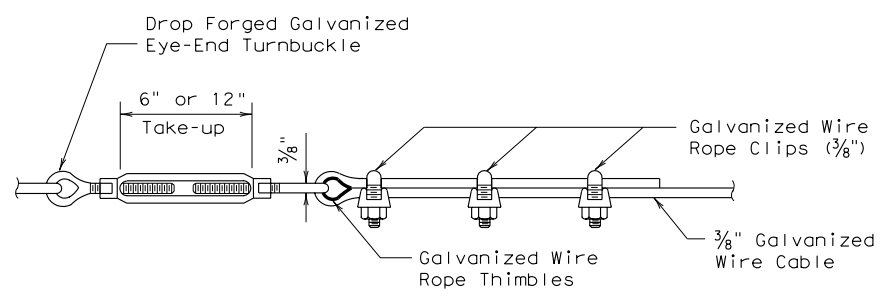
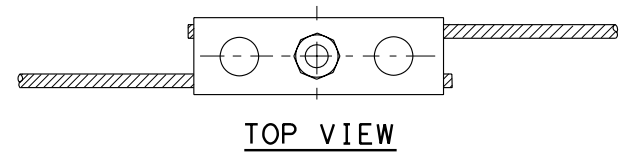
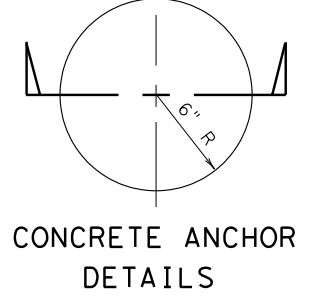
**THIMBLE-EYE BOLT DETAILS**

**OBJECT MARKER KEEPER DETAIL**

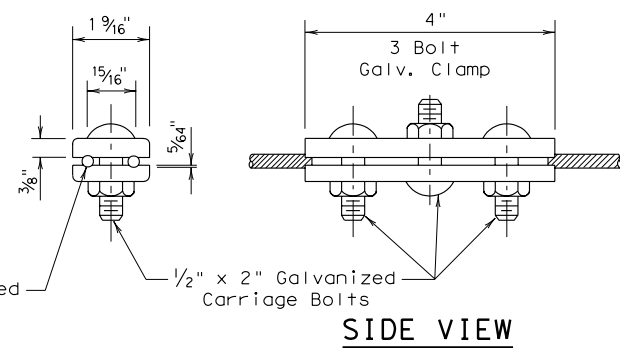
**GENERAL NOTES**

1. Furnish Class "B" or better concrete in accordance with Item 421, "Hydraulic Cement Concrete". Cure concrete anchors at least five (5) days before attaching the cable.
2. Furnish galvanized cable fittings in accordance with the Item 445, Galvanizing.
3. Furnish posts meeting the requirements of DMS 7200, "Timer Posts and Blocks for Metal Beam Guard Fence." Do not use painted timber posts.
4. Cover the entire surface of object marker (reflector) with a reflectorized sheeting material conforming to Departmental Material Specification DMS 8300, "Sign Face Materials", Type C.
5. Furnish cable conforming to ASTM designation A475.

**WOOD POST DETAIL**



**WIRE CABLE CONNECTION (at turnbuckles & eyebolts) DETAIL**



**SLIP JOINT DETAIL**

Texas Department of Transportation  
Maintenance Division

**POST & CABLE FENCE**

**PCF-05**

FILE: pcf05.dgn	DN:	CK:	DW: LJB	CK: JG	NEG:
© TxDOT FEB. 2005		DIST	FED REG	FEDERAL AID PROJECT • SHEET	
REVISIONS		6			
2/02 Rev. Design Div. PCF-99		COUNTY	CONTROL	SECT	JOB HIGHWAY