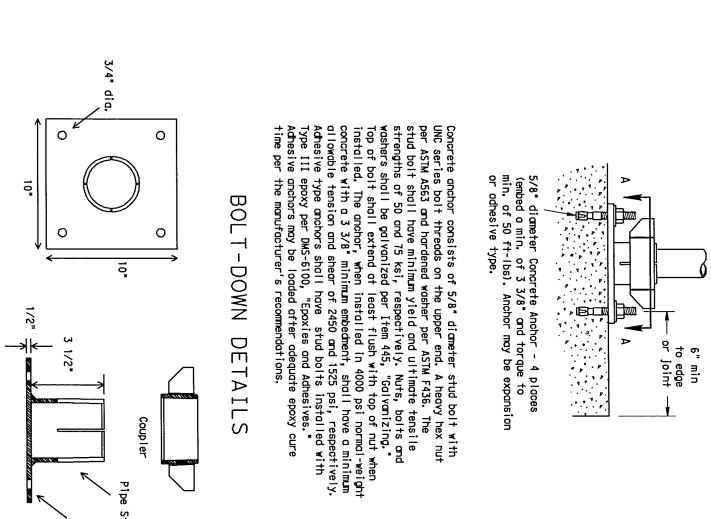
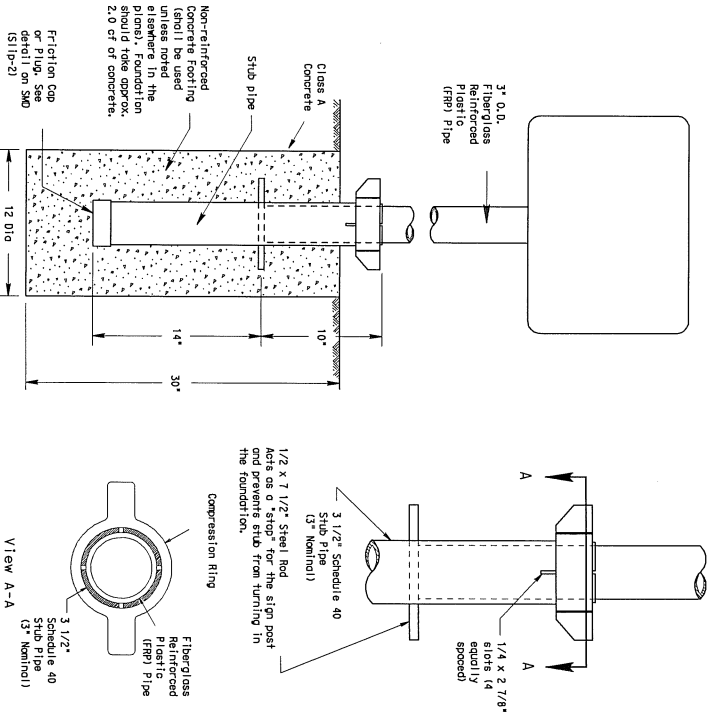


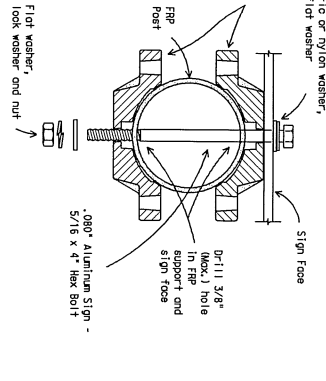
DISCLAIMER: The use of this standard is governed by the "Texas Engineering Practice Act". No warranty of any kind is made by TxDOT for any purpose whatsoever. TxDOT assumes no responsibility for the conversion of this standard to other formats or for incorrect results or damages resulting from its use.

## Universal Anchor System With Fiberglass Reinforced Plastic (FRP) Post

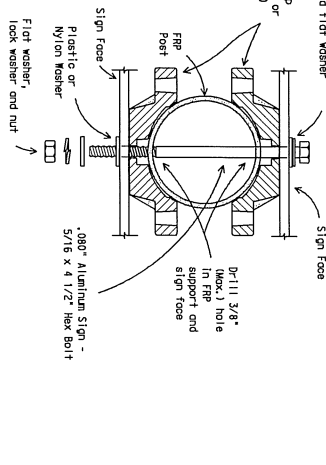


SM RD SON ASSM TR FRP(X)A(P)  
SM RD SON ASSM TR FRP(W)UB(P)

### Typical Sign Mounting Detail for FRP Support with Single Sign



### Typical Sign Mounting Detail for FRP Support with Back-to-Back Signs



#### GENERAL NOTES:

- FRP sign supports for a single type sign support may be used for signs up to 10' high. For signs over 10' high, post installation may be used for signs up to and including 32 square feet.
- All nuts, bolts and washers shall be galvanized per Item 445, "Galvanizing."
- See the Traffic Operations Division website for detailed drawings of sign clamps. The website address is: <http://www.txdot.gov/operations/traffic.htm>

#### FRP POST REQUIREMENTS

- Material shall conform to the requirements of Departmental Material Specification DMS-4410 and will be furnished in a yellow or gray color as specified elsewhere in the plans.
- FRP posts shall be galvanized per Item 445, "Galvanizing."
- FRP sign supports are prequalified by the Traffic Operations Division. Prequalification procedures are obtained by writing: Texas Department of Transportation Traffic Operations Division 1232 East Loop West Austin, Texas 78701-2483


#### UNIVERSAL ANCHOR SYSTEM INSTALLATION PROCEDURES

- Dig foundation hole. Where solid rock is encountered or ground level, the hole shall be dug to a depth of 18" below ground level. If solid rock is encountered below ground level, the foundation shall extend in the solid rock a minimum depth of 18" or provide a minimum foundation depth of 30". If solid rock is encountered, the socket/stub may be reduced in length as required to a minimum length of 18". Any material removed from the socket/stub must be from the bottom and the clearance required shall remain free of concrete or other debris.
- The Engineer may permit batches of concrete less than 2 cubic yards to be mixed with a portable, motor driven concrete mixer, for small businesses less than 0.5 cubic yards, hand mixing in a suitable container may be permitted.
- Place 0.5 cubic yards of concrete in foundation hole to depths shown and fill hole with concrete. Cut base post from bottom and ensure a minimum of 18" embedment if installed in solid rock.
- Level and plumb the base post with coupler using a torpedo level and let concrete set a minimum of 4 days, unless otherwise directed by the Engineer.
- Place FRP post in foundation hole to depths shown and fill hole with concrete. FRP post shall be set in concrete.
- Insert sign post into base post. Lower until the post comes to rest on the steel rod.
- Use hammer to ensure the coupler is firmly seated. Top of coupler should be level with top of base post. If there is no twist, increase the tightening of the sign to ensure there is no twist. If loose, increase the tightening of coupler.

#### BOLT-DOWN SIGN SUPPORT

- Position base plate with coupler on existing concrete.
- Drill hole into concrete and insert the 5/8" diameter bolt with wedge, nut, and tighten nut.
- Attach sign to FRP post.
- Insert bottom of sign post into pipe stub.
- Use hammer to set base post in post. Instruct sign.
- Check sign to ensure there is no twist. If loose, increase the tightening of coupler.

DATE: \_\_\_\_\_  
FILE: \_\_\_\_\_



**Texas Department of Transportation**  
Traffic Operations Division

**SIGN MOUNTING DETAILS  
SMALL ROADSIDE SIGNS  
UNIVERSAL ANCHOR SYSTEM  
WITH FRP POST**

**SMD (FRP) -08**

9-08	REV	DATE	BY