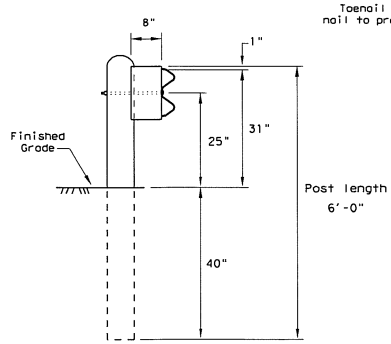
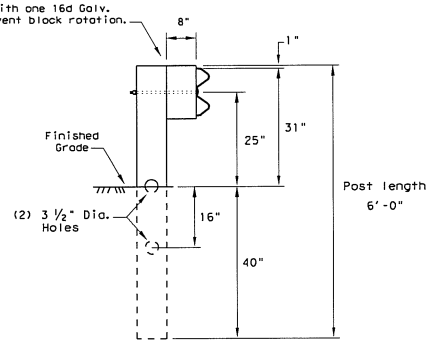


DISCLAIMER: This standard is governed by the "Texas Engineering Practice Act". No warranty of any kind is made by TxDOT for any purpose whatsoever. TxDOT assumes no responsibility for the conversion of this standard to other formats or for incorrect results or damages resulting from its use.

DATE:
FILE:

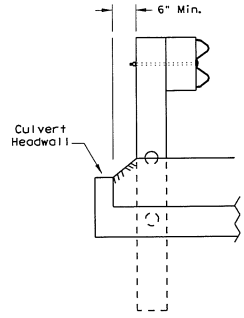


Standard Line Post Installation



Rectangular CRT Post
(6" x 8" x 6" Long)

(6) CRT required.
See Elevation Detail for locations.

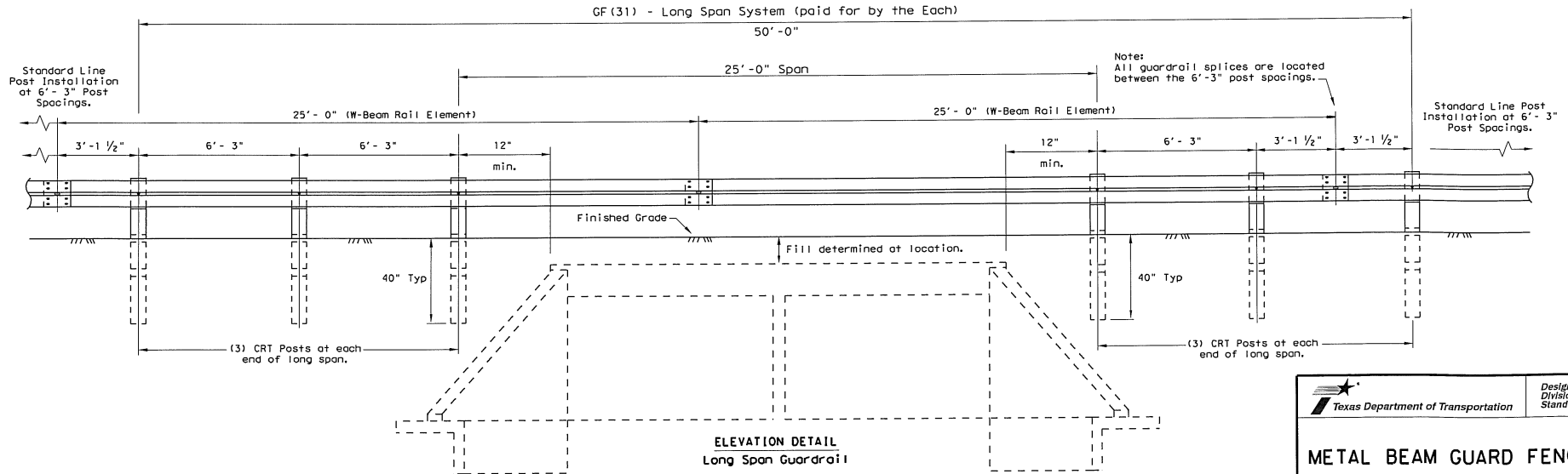


Lateral Offset Between the
Guardrail and the Culvert Headwall

GENERAL NOTES

1. The type of line post (round wood post, rectangular wood post, or steel post) will be as shown in the plans. The exact position of the transitions shall be as shown in the plans or as directed by the Engineer. Steel posts to be galvanized in accordance with Item 445, "Galvanizing."
2. Rail element shall meet all requirements of Item 540, "Metal Beam Guard Fence" except as modified on the plans. The Contractor may furnish rail elements of 12 1/2 or 25 foot nominal lengths.
3. Rail post holes are offset 3' - 1 1/2" from standard guardrail to accommodate the midspan splicing.
4. Button head post bolts (ASTM A307) shall be of sufficient length to extend through the full thickness of the nut (ASTM A563) and no more than 3/4" beyond it. Button head splice bolts (ASTM A307) are 3/4" x 1 1/4" with a 3/8" double recessed nut (ASTM A563). Galvanized fittings (bolts, nuts, and washers) shall be in accordance with Item, "Metal For Structures". Fittings shall be subsidiary to the bid item requiring construction of transition.
5. Where solid rock is encountered or where shown on the plans, the diameter of the holes shall be approximately 12 inches, the backfilling shall be with a cohesionless material, and embedment depth shall be 1' - 6" or more as directed by the Engineer.
6. Posts shall not be set in concrete, of any depth.
7. Refer to GF(31) Standard Sheet for additional details.

NOTE: Field drilled holes shall be repaired in accordance with Item 445, "Galvanizing".
Flame cutting of holes in guardrail shall not be permitted.



ELEVATION DETAIL
Long Span Guardrail

		Design Division Standard	
METAL BEAM GUARD FENCE (LONG SPAN)			
GF (31) LS-17			
FILE: gf31ls17.dgn	DRN: TxDOT	CHK: KM	DES: VP
© TxDOT: December 2011	CONT	SECT	JOB
REVISIONS Revised 12, 2017 CL		DIST COUNTY	SHEET NO.