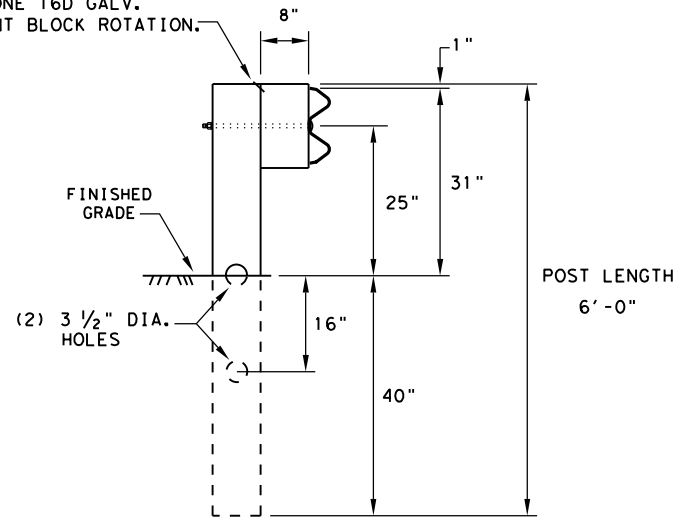


DISCLAIMER: THE USE OF THIS STANDARD IS GOVERNED BY THE "TEXAS ENGINEERING PRACTICE ACT". NO WARRANTY OF ANY KIND IS MADE BY TXDOT FOR ANY PURPOSE WHATSOEVER. TXDOT ASSUMES NO RESPONSIBILITY FOR THE CONVERSION OF THIS STANDARD TO OTHER FORMATS OR FOR INCORRECT RESULTS OR DAMAGES RESULTING FROM ITS USE.

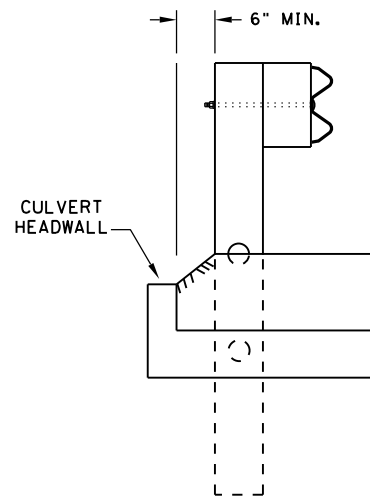
DATE:
 FILE:

NOTE: TOENAIL WITH ONE 16D GALV. NAIL TO PREVENT BLOCK ROTATION.



**RECTANGULAR CRT POST
(6" X 8" X 6' LONG)**

(6) CRT REQUIRED
SEE ELEVATION DETAIL FOR LOCATIONS



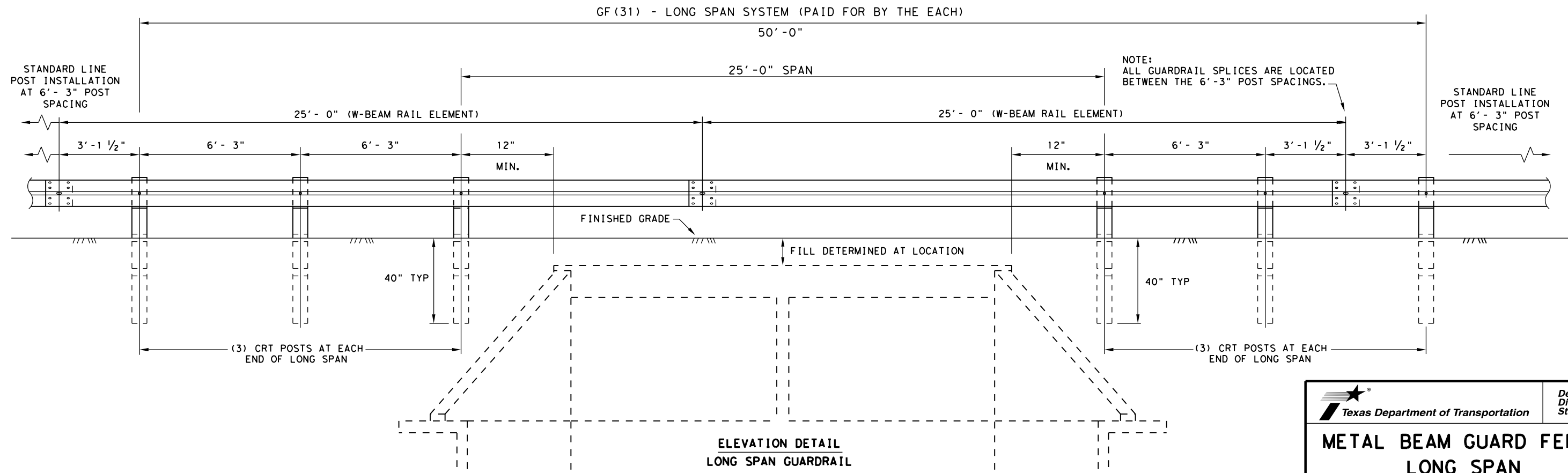
**LATERAL OFFSET BETWEEN THE
GUARDRAIL AND THE CULVERT HEADWALL**

GENERAL NOTES

1. THE TYPE OF LINE POST (ROUND WOOD POST, RECTANGULAR WOOD POST, OR STEEL POST) WILL BE AS SHOWN IN THE PLANS. THE EXACT POSITION OF THE TRANSITIONS SHALL BE AS SHOWN IN THE PLANS OR AS DIRECTED BY THE ENGINEER. STEEL POSTS TO BE GALVANIZED IN ACCORDANCE WITH ITEM 445, "GALVANIZING."
2. RAIL ELEMENT SHALL MEET ALL REQUIREMENTS OF ITEM 540, "METAL BEAM GUARD FENCE" EXCEPT AS MODIFIED ON THE PLANS. THE CONTRACTOR MAY FURNISH RAIL ELEMENTS OF 12'-6" OR 25'-0" NOMINAL LENGTHS.
3. RAIL POST HOLES ARE OFFSET 3'-1 1/2" FROM STANDARD GUARDRAIL TO ACCOMMODATE THE MIDSPAN SPLICING.
4. BUTTON HEAD "POST BOLTS & NUTS" SHALL MEET THE REQUIREMENTS OF (ASTM A307), AND SHALL BE OF SUFFICIENT LENGTH TO EXTEND THROUGH THE FULL THICKNESS OF THE NUT AND 5/8" WASHER (FWC160) AND NO MORE THAN 1" BEYOND IT.
5. FITTINGS (BOLTS, NUTS, AND WASHERS) SHALL BE GALVANIZED IN ACCORDANCE WITH ITEM 445, "GALVANIZING". FITTINGS SHALL BE SUBSIDIARY TO THE BID ITEM.
6. WHERE SOLID ROCK IS ENCOUNTERED, CONTACT THE DESIGN DIVISION FOR ADDITIONAL GUIDANCE. (512) 416-2678
7. POSTS SHALL NOT BE SET IN CONCRETE, OF ANY DEPTH.
8. REFER TO GF(31) STANDARD SHEET FOR ADDITIONAL DETAILS.
9. FLAME CUTTING OF HOLES IN GUARDRAIL SHALL NOT BE PERMITTED. IF YOU ENCOUNTER MIS-ALIGNED BOLT HOLES IN GUARDRAIL CONTACT THE DESIGN DIVISION FOR ADDITIONAL INFORMATION & OPTIONS.

NOTE: SEE GF(31) STANDARD FOR STANDARD LINE POSTS.

DIRECTION OF TRAFFIC



**ELEVATION DETAIL
LONG SPAN GUARDRAIL**

				Design Division Standard	
METAL BEAM GUARD FENCE LONG SPAN TL-3 MASH COMPLIANT					
GF(31)LS-19					
FILE: gf31ls19.dgn	DN: TXDOT	CK: KM	DW: VP	CK: CGL/AG	
©TXDOT: NOVEMBER 2019	CONT	SECT	JOB	HIGHWAY	
REVISIONS		DIST	COUNTY	SHEET NO.	