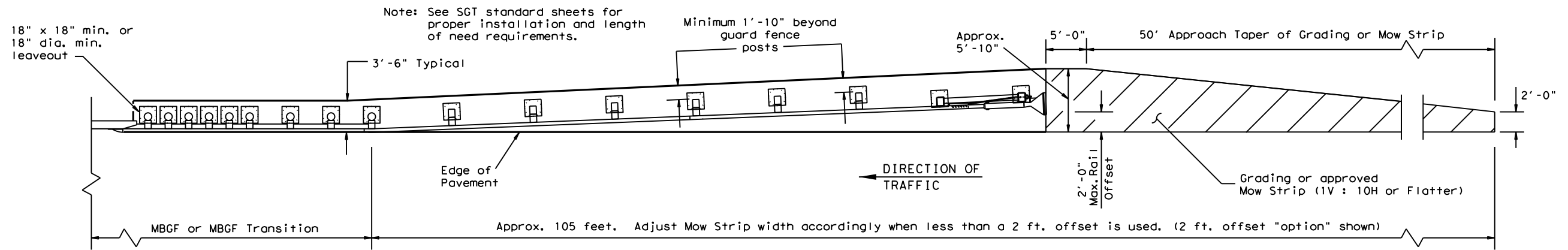
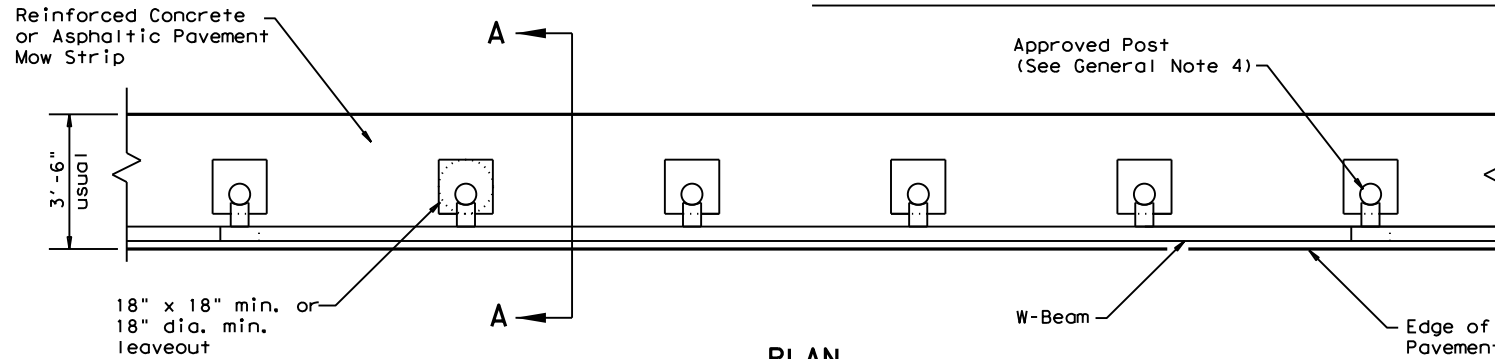


DISCLAIMER: THE USE OF THIS STANDARD IS GOVERNED BY THE "TEXAS ENGINEERING PRACTICE ACT". NO WARRANTY OF ANY KIND IS MADE BY TXDOT FOR ANY PURPOSE WHATSOEVER. TXDOT ASSUMES NO RESPONSIBILITY FOR THE CONVERSION OF THIS STANDARD TO OTHER FORMATS OR FOR INCORRECT RESULTS OR DAMAGES RESULTING FROM ITS USE.



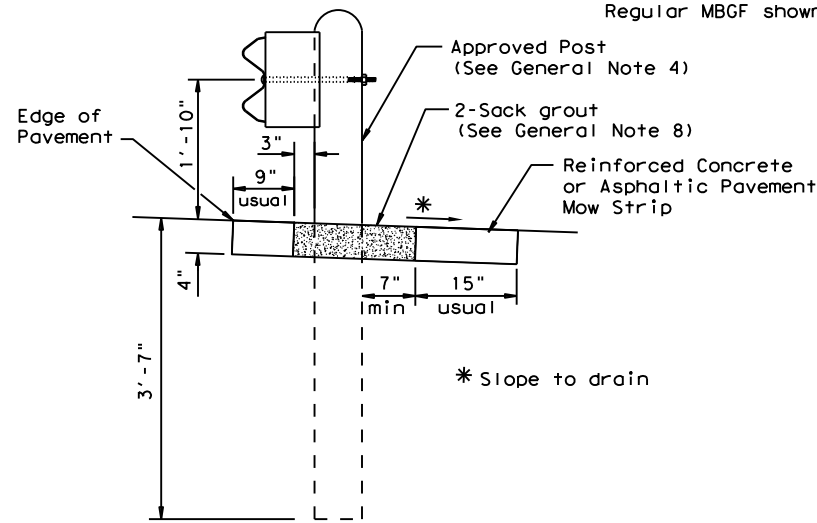
GRADING AND MOW STRIP AT GUARDRAIL END TREATMENTS

Note: Site Condition(s)
 Site conditions may exist where grading is required for the proper installation of metal guard fence and end treatments.
 Approach grading or mow strip may be decreased or eliminated. As directed by the Engineer.



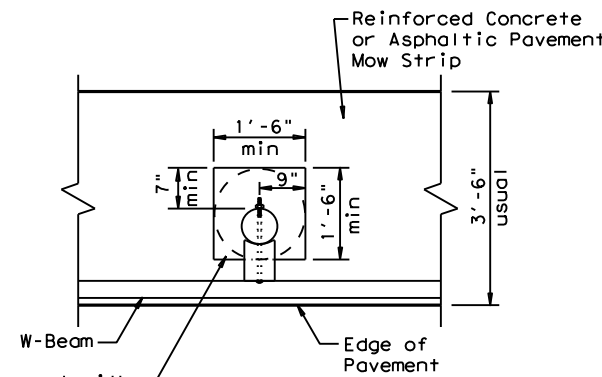
PLAN

Regular MBGF shown with Mow Strip



SECTION A-A

Typical

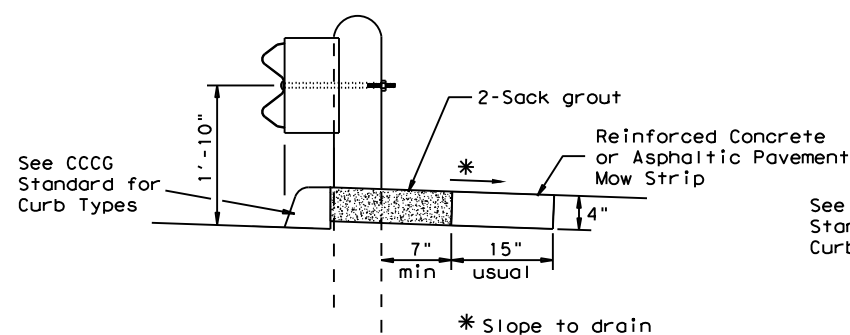


MOW STRIP DETAIL

Reinforced Concrete or Asphaltic Pavement Mow Strip with 18" x 18" or 18" dia. minimum leaveout.

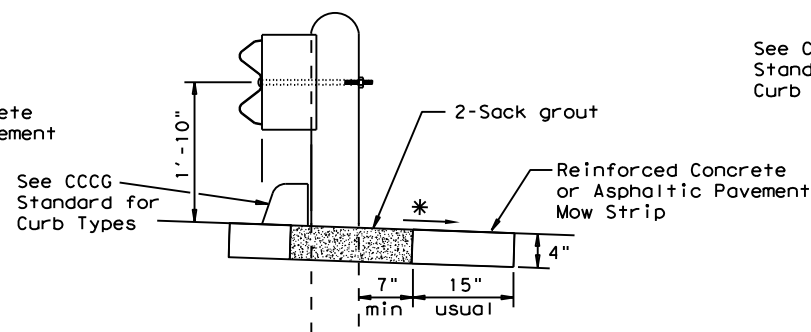
GENERAL NOTES

1. This mow strip design is for use with metal beam guard fence, guard fence transitions, and guard fence end treatments (See SGT standards for proper SGT installation).
2. Mow strips shall be asphaltic pavement or reinforced concrete (wire mesh or synthetic fiber), as shown on the plans and will be paid for under the pertinent bid item of work. Asphaltic pavement shall meet the requirements of the item, and be placed in accordance with the pertinent bid item as shown on the plans. Reinforced concrete shall be placed in accordance with Item 432, "Riprap." The use of the synthetic fiber in lieu of steel reinforcing is acceptable, provided the fiber producer is on the Department Material Producer List (MPL), maintained by TxDOT, Construction Division.
3. The leaveout behind the post shall be a minimum of 7".
4. The type of approved post will be shown elsewhere in the plans. See the applicable standard sheets for additional details and information.
5. Other curb placement options may be used. Curbs are not considered part of the mow strip and will be paid for under other pertinent bid item.
6. Depth of mow strip will be 4".
7. The limits of payment for asphaltic pavement or reinforced concrete will include leaveouts for posts.
8. The leave-outs shall be filled with no more than a 2-sack grout mixture (1 part cement, 5 parts water, and 14 parts sand by volume) with a 28-day compressive strength of approximately 120 psi or less. Provide grout of a consistency that will flow into and completely fill all voids. Due to auger size, larger leave-out dimensions are acceptable from both an impact performance and maintenance repair standpoint (Suggested maximum leave-out of 20"). Payment for furnishing and placing the grout mixture will be subsidiary to the pay item of rip rap mow strip.



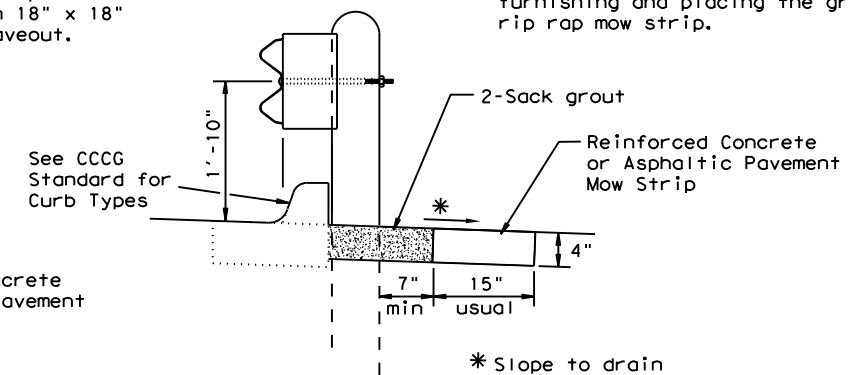
CURB OPTION (1)

This option will increase the post embedment through out the system.



CURB OPTION (2)

Curb shown on top of mow strip



CURB OPTION (3)

ONLY FOR USE IN MAINTENANCE REPAIRS.



METAL BEAM GUARD FENCE (MOW STRIP)

MBGF (MS) - 19

FILE: mbgfms19.dgn	DN: TxDOT	CK: KM	DW: TXDOT	CK: CL
© TxDOT NOVEMBER 2019	CONT	SECT	JOB	HIGHWAY
REVISIONS				
DIST	COUNTY		SHEET NO.	

DATE:
FILE: